

ALARM WARNING INDICATOR (OPTION)		
NUMBER OF LAYERS	F	G
1	378 [14.88"]	2578 [101.50"]
2	419 [16.49"]	2619 [103.11"]
3	460 [18.10"]	2660 [104.72"]

1. THIS SPECIFICATION IS THE FOUNDATION BOLT SPECIFICATION (STD).
2. DIMENSION \*MARK IS THE LEVEL PAD SPECIFICATION (OPTION).

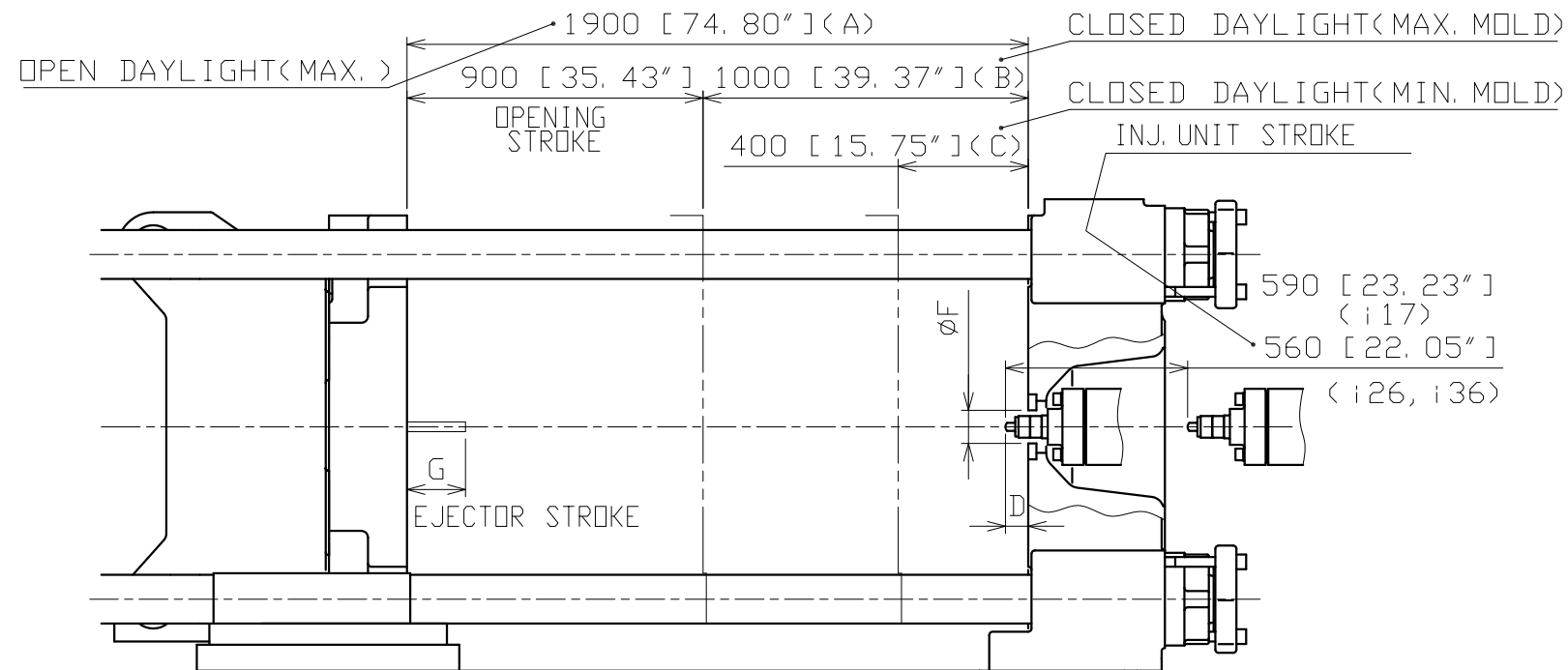
<FILE: S\_49A912.DWG> SMA-STD

**GENERAL VIEW**

EC610SXII-36AT, B

SHIBAURA MACHINE CO., LTD. S-49A91

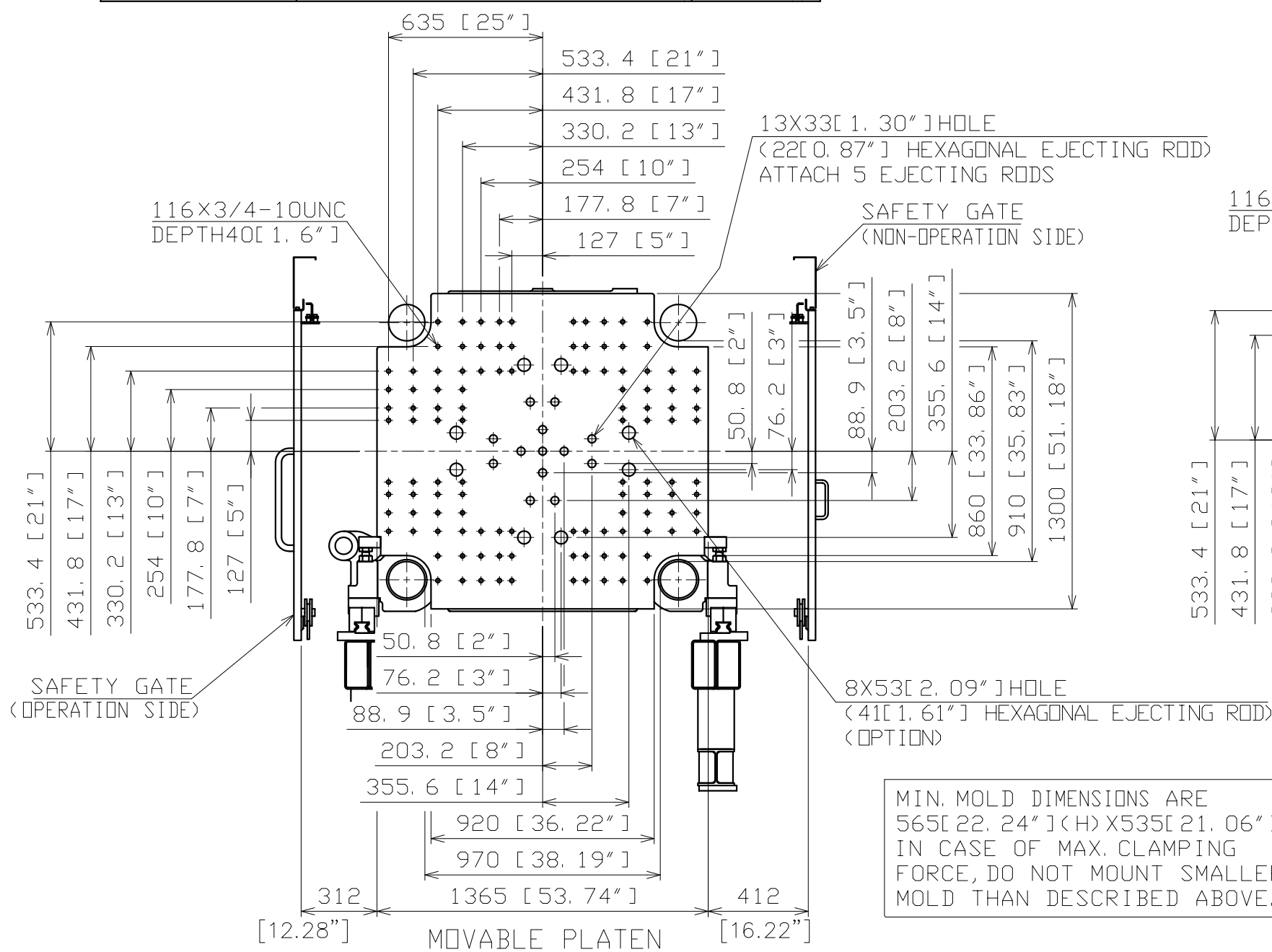
mm [Inch]



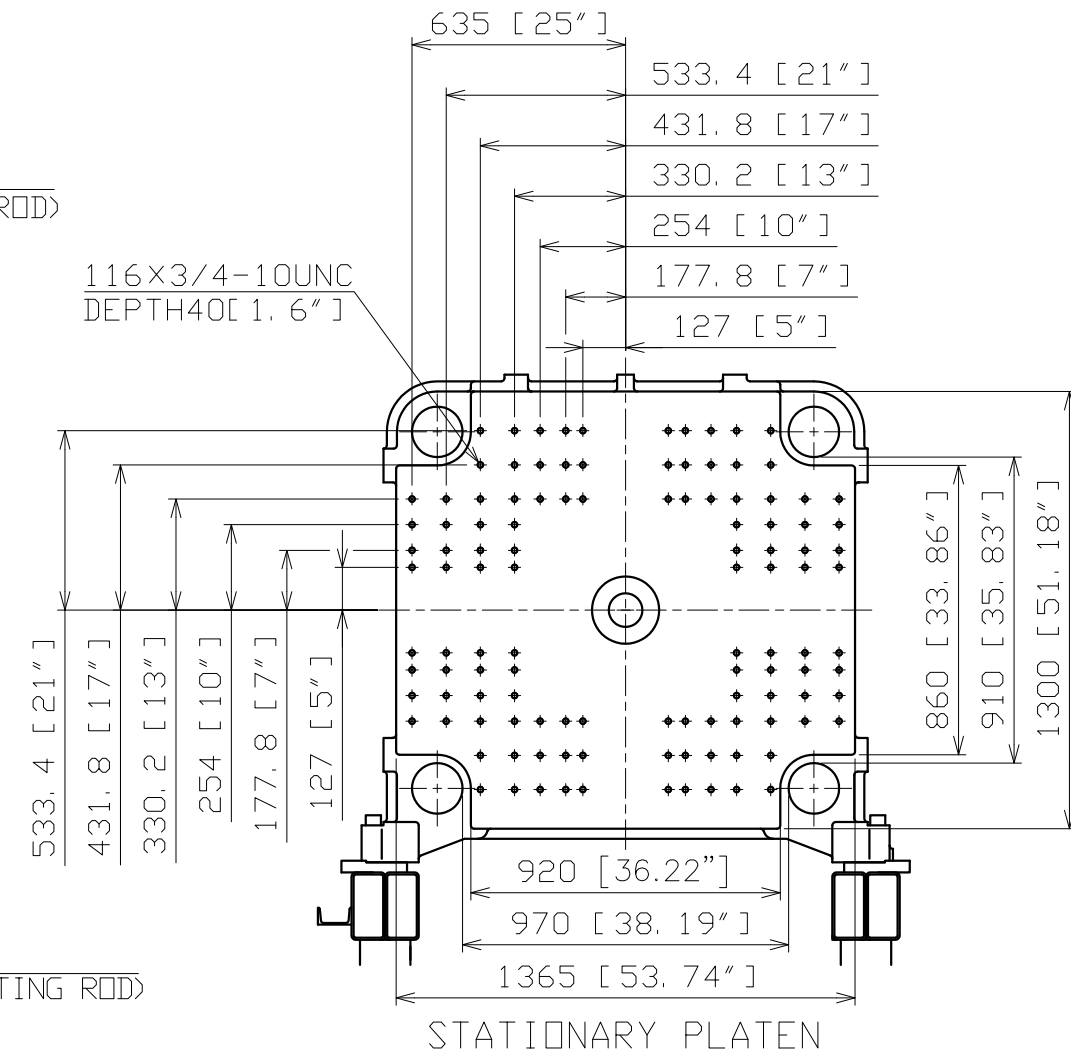
LOCATING RING HOLE DIAMETER (F)	
STD	φ101.6 <sup>+0.035</sup> [φ4"]
EJECTOR STROKE (G)	
STD	180 [7.09"]

NOZZLE PROJECTION (D)		
i17		48 [1.89"]
i26	STD (6" BODY)	55 [2.17"]
i36		65 [2.56"]

IN CASE OF OPTIONAL INSULATING PLATES	5mm [0.20"]	10mm [0.39"]	
OPEN DAYLIGHT (MAX.) (A)	1890 [74.41"]	1880 [74.02"]	
CLOSED DAYLIGHT (MAX. MOLD) (B)	990 [38.98"]	980 [38.58"]	
CLOSED DAYLIGHT (MIN. MOLD) (C)	390 [15.35"]	380 [14.96"]	
NOZZLE PROJECTION (D)	i17	43 [1.69"]	38 [1.50"]
	i26	50 [1.97"]	45 [1.77"]
	i36	60 [2.36"]	55 [2.17"]



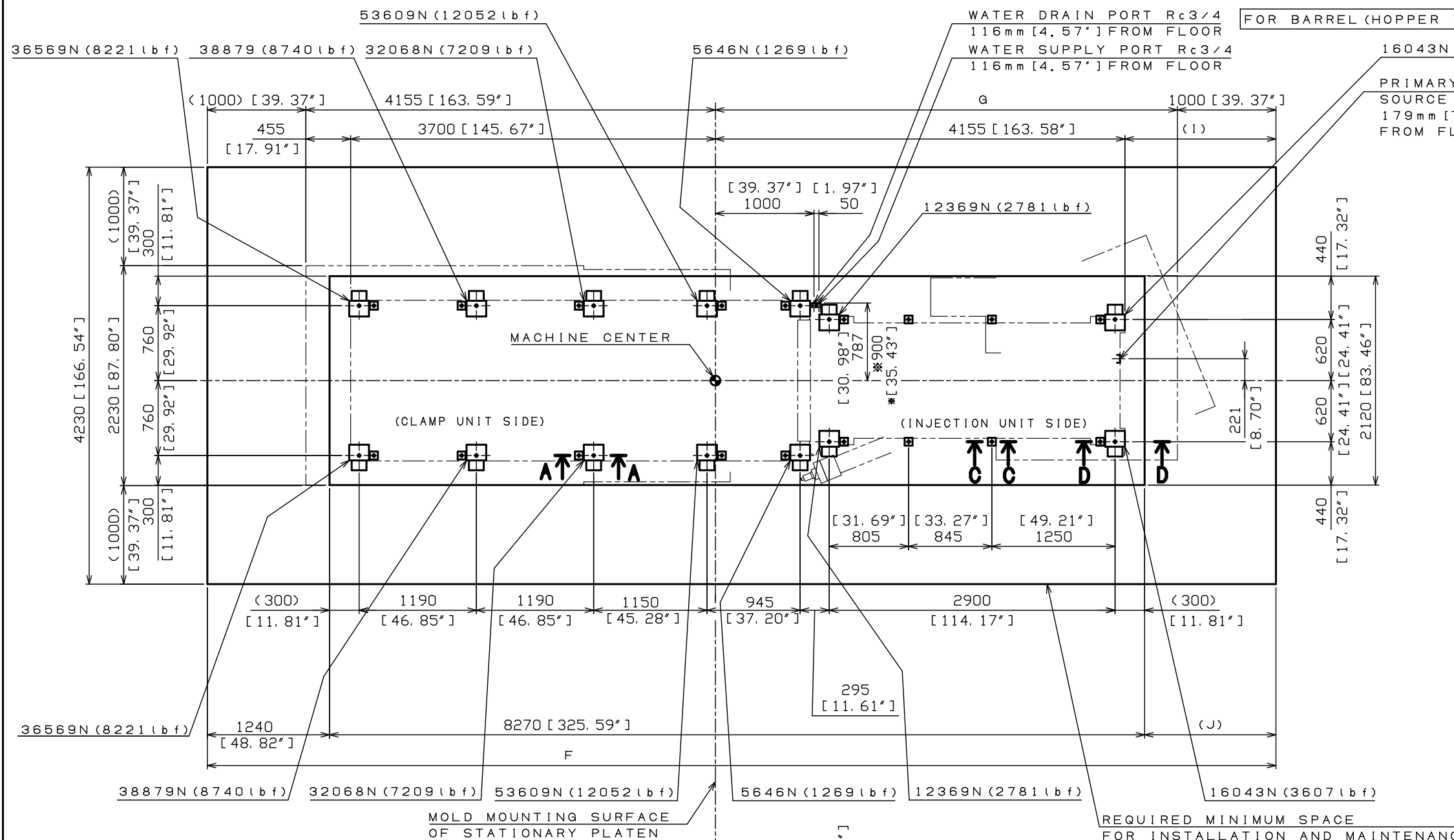
MIN. MOLD DIMENSIONS ARE 565 [22.24"] (H) X 535 [21.06"] (V) IN CASE OF MAX. CLAMPING FORCE, DO NOT MOUNT SMALLER MOLD THAN DESCRIBED ABOVE.



<FILE: S\_49A931.DWG> SMA-STD

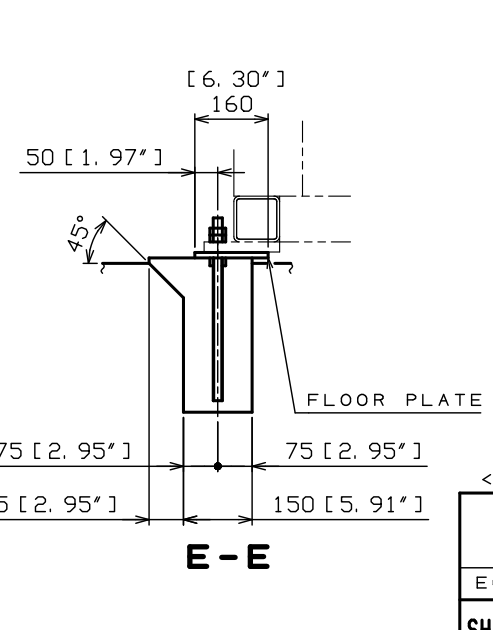
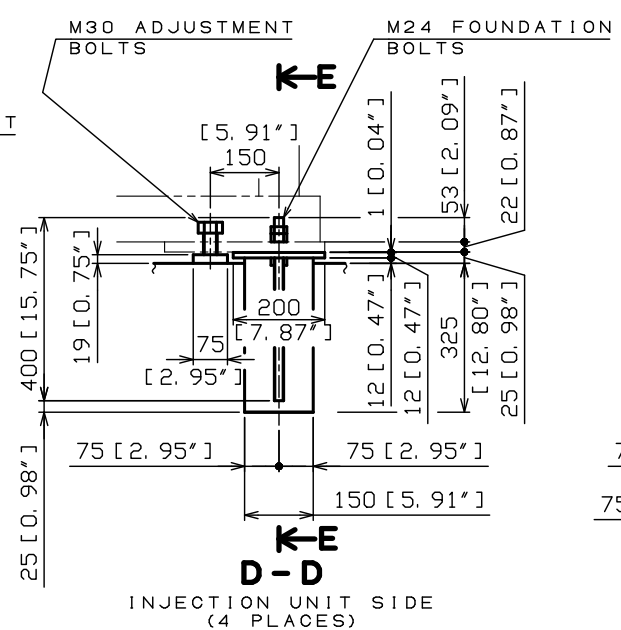
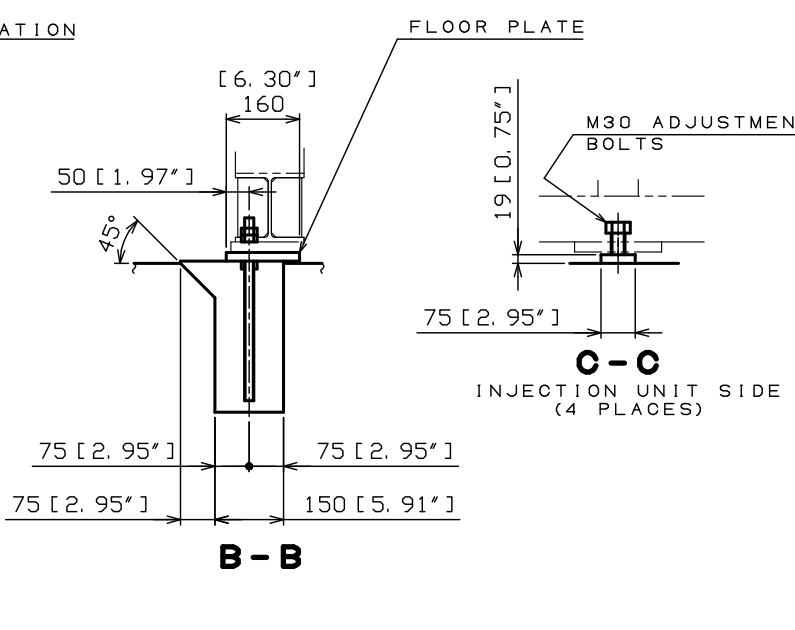
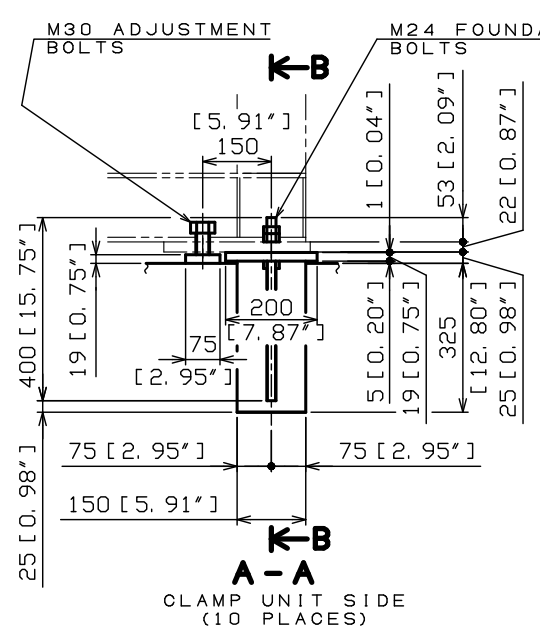
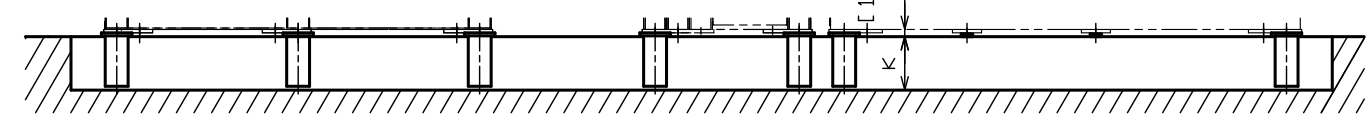
MOLD MOUNTING SPACE	
EC610SX II	
SHIBaura MACHINE CO., LTD.	S-49A93

mm [inch]

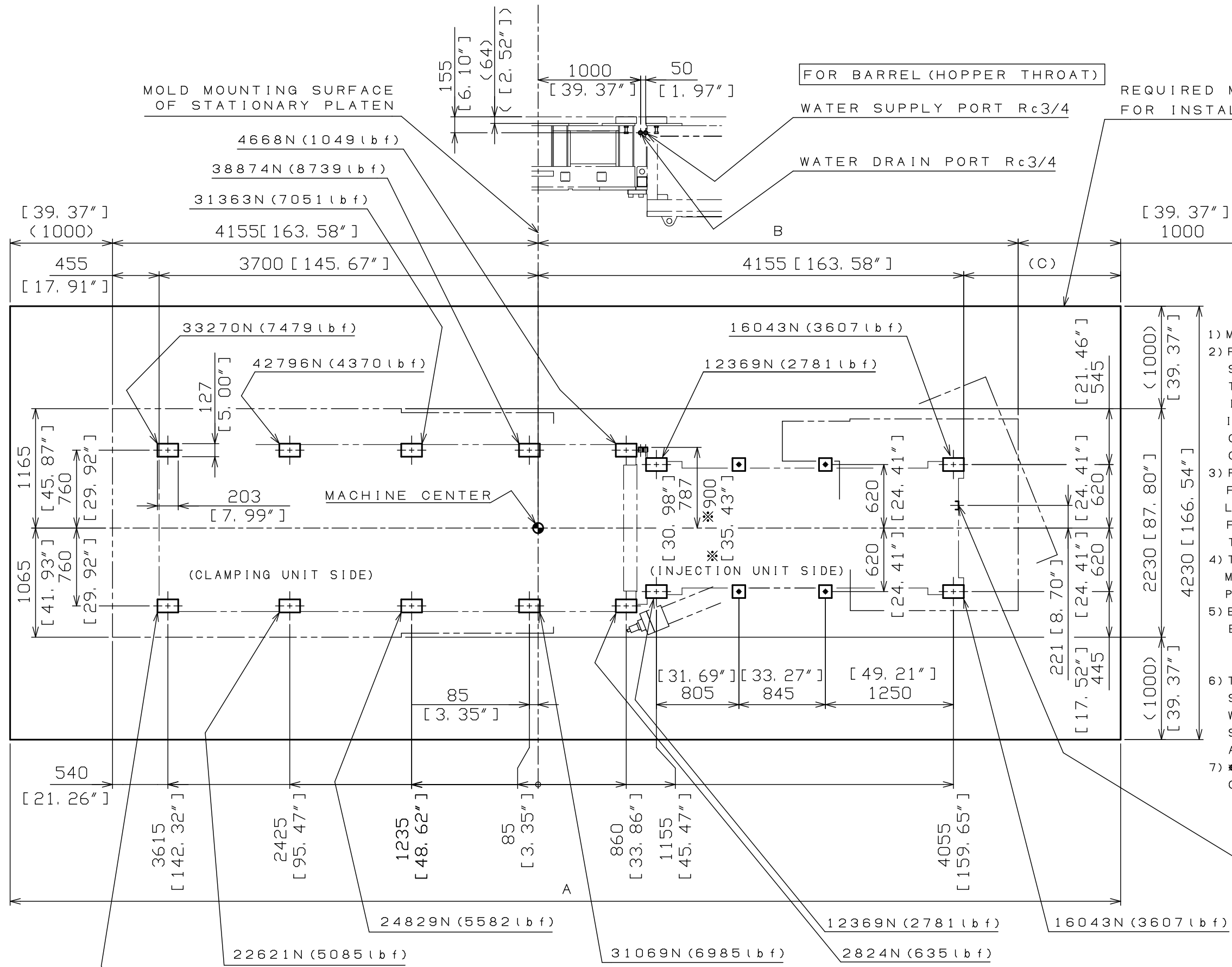


- |                           |       |       |
|---------------------------|-------|-------|
|                           | 126   | 136   |
| 1) MACHINE WEIGHT (lbs) : | 49600 | 52700 |
- FOUNDATION AND THICKNESS OF K MUST HAVE ENOUGH SOIL BEARING CAPACITY WHICH IS ABLE TO PUT DISTRIBUTED LOADS IN THIS DRAWINGS. IT SHOWS MAXIMUM DISTRIBUTED LOADS ON EACH POINTS BY STATE OF CLAMP/INJECTION UNIT POSITION.
  - CONCRETE COMPOSITION CEMENT : SAND : GRAVEL 1 : 2 : 4
  - GROUT THE QUICK HARDEN AND NON-SHRINKAGE TYPE GROUT SHOULD BE USED.
  - GROUT FINISHING AROUND THE FOUNDATION SEATS SHALL BE PERFORMED AFTER COMPLETION OF LEVEL CENTERING.
  - REQUIRED AMOUNT OF COOLING WATER FOR BARREL (HOPPER THROAT) 3Gal/min (WATER TEMP. LESS THAN 77°F) FOR MOLD (OPTION) 7Gal/min (WATER TEMP. LESS THAN 77°F)
  - TAKE SOME MEASURES TO PREVENT MACHINE SWAY AND USE FLEXIBLE HOSE PIPING FOR CONNECTION WITH OUTSIDE.
  - EXECUTE GROUNDING OF RESISTANCE BELOW R<sub>Q</sub>.  
 (R=10Ω at >AC300V)  
 (R=100Ω at ≤AC300V)
  - THE POSITION OF MOLD MOUNTING SURFACE OF STATIONARY PLATEN VARY WITH THE OPTIONAL SPECIFICATION SUCH AS INSULATING PLATES AND MAGNETIC CLAMP UNIT.
  - \*IN CASE OF THE POSITION OF COOLING WATER SUPPLY PORT (BARREL & MOLD) WITH WATER STRAINER

INJECTION UNIT	F	G	I	J
126AT, B	10327 [406.57"]	4172 [164.25"]	1017 [40.04"]	817 [32.17"]
136AT, B	10842 [426.85"]	4687 [184.53"]	1532 [60.31"]	1332 [52.44"]



<FILE:S\_2TE521.DWG> SMA-STD  
**FOUNDATION**  
 EC610SXII-126/136  
 SHIBAURA MACHINE CO., LTD. S-2TE52



REQUIRED MINIMUM SPACE FOR INSTALLATION AND MAINTENANCE

- |       |       |
|-------|-------|
| 126   | 136   |
| 59800 | 62900 |
- 1) MACHINE WEIGHT (lbs) :
  - 2) FOUNDATION OR FLOOR MUST HAVE ENOUGH SOIL BEARING CAPACITY WHICH IS ABLE TO PUT DISTRIBUTED LOADS IN THIS DRAWINGS. IT SHOWS MAXIMUM DISTRIBUTED LOADS ON EACH POINTS BY STATE OF CLAMP/INJECTION UNIT POSITION.
  - 3) REQUIRED AMOUNT OF COOLING WATER FOR BARREL 3Gal/min (WATER TEMP. LESS THAN 77°F) FOR MOLD (OPTION) 7Gal/min (WATER TEMP. LESS THAN 77°F)
  - 4) TAKE SOME MEASURES TO PREVENT MACHINE SWAY AND USE FLEXIBLE HOSE PIPING FOR CONNECTION WITH OUTSIDE.
  - 5) EXECUTE GROUNDING OF RESISTANCE BELOW R Ω.  
(R=10Ω at >AC300V)  
(R=100Ω at ≤AC300V)
  - 6) THE POSITION OF MOLD MOUNTING SURFACE OF STATIONARY PLATEN VARY WITH THE OPTIONAL SPECIFICATION SUCH AS INSULATING PLATES AND MAGNETIC CLAMP UNIT.
  - 7) \* IN CASE OF THE POSITION OF COOLING WATER SUPPLY PORT (BARREL & MOLD) WITH WATER STRAINER

PRIMARY POWER SOURCE POINT  
201mm [7.91"]  
FROM FLOOR

INJECTION UNIT	A	B	C
126AT, B	10327 [406.57"]	4172 [164.25"]	1017 [40.04"]
136AT, B	10842 [426.85"]	4687 [184.53"]	1532 [60.32"]

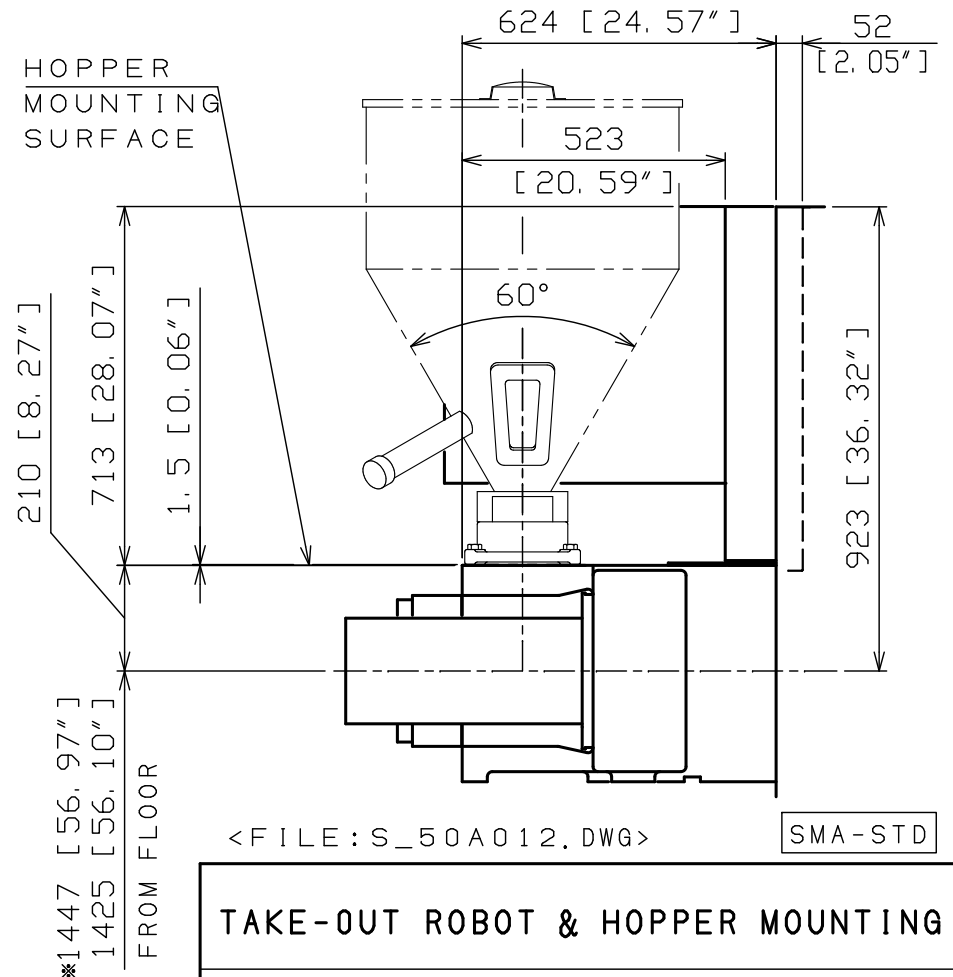
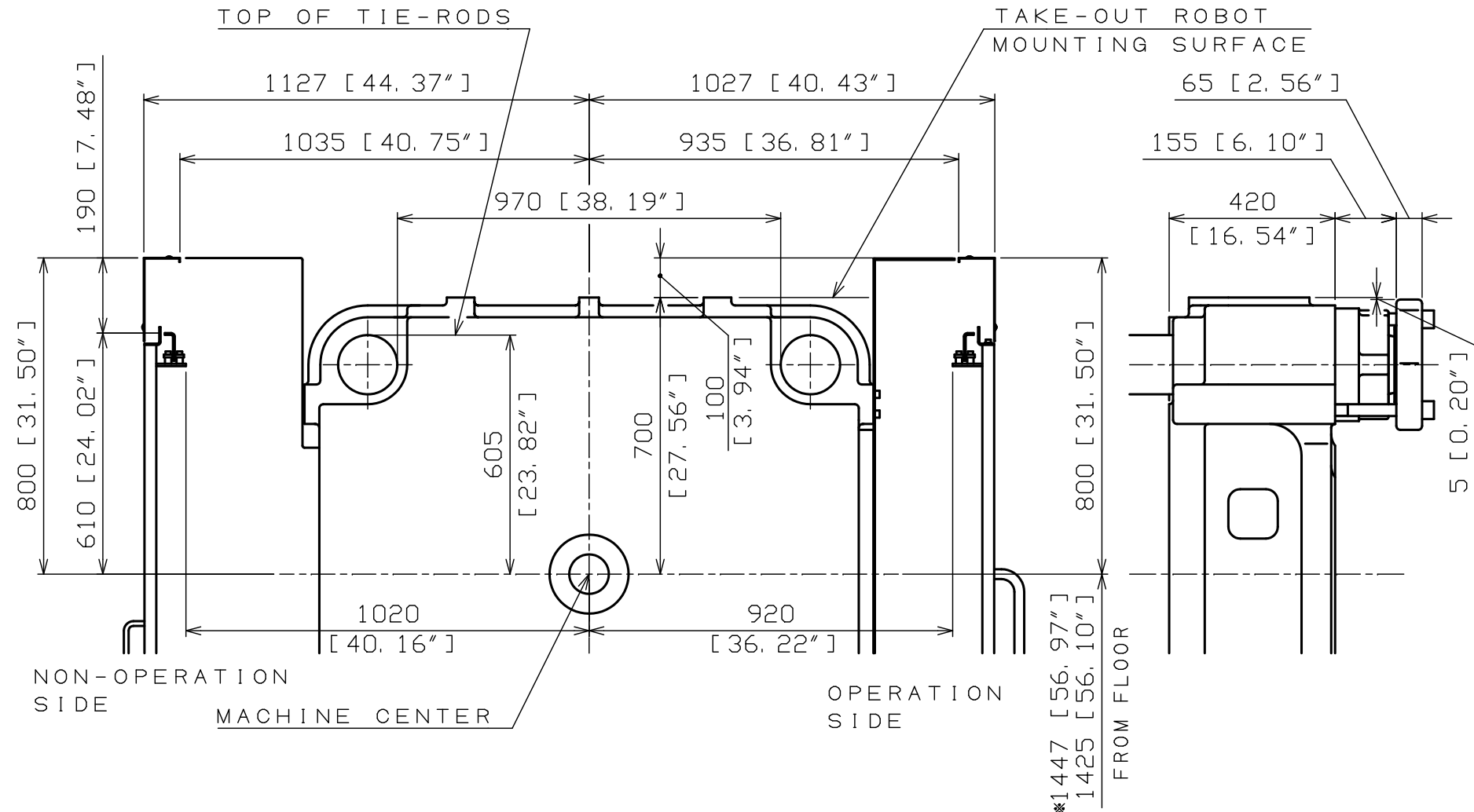
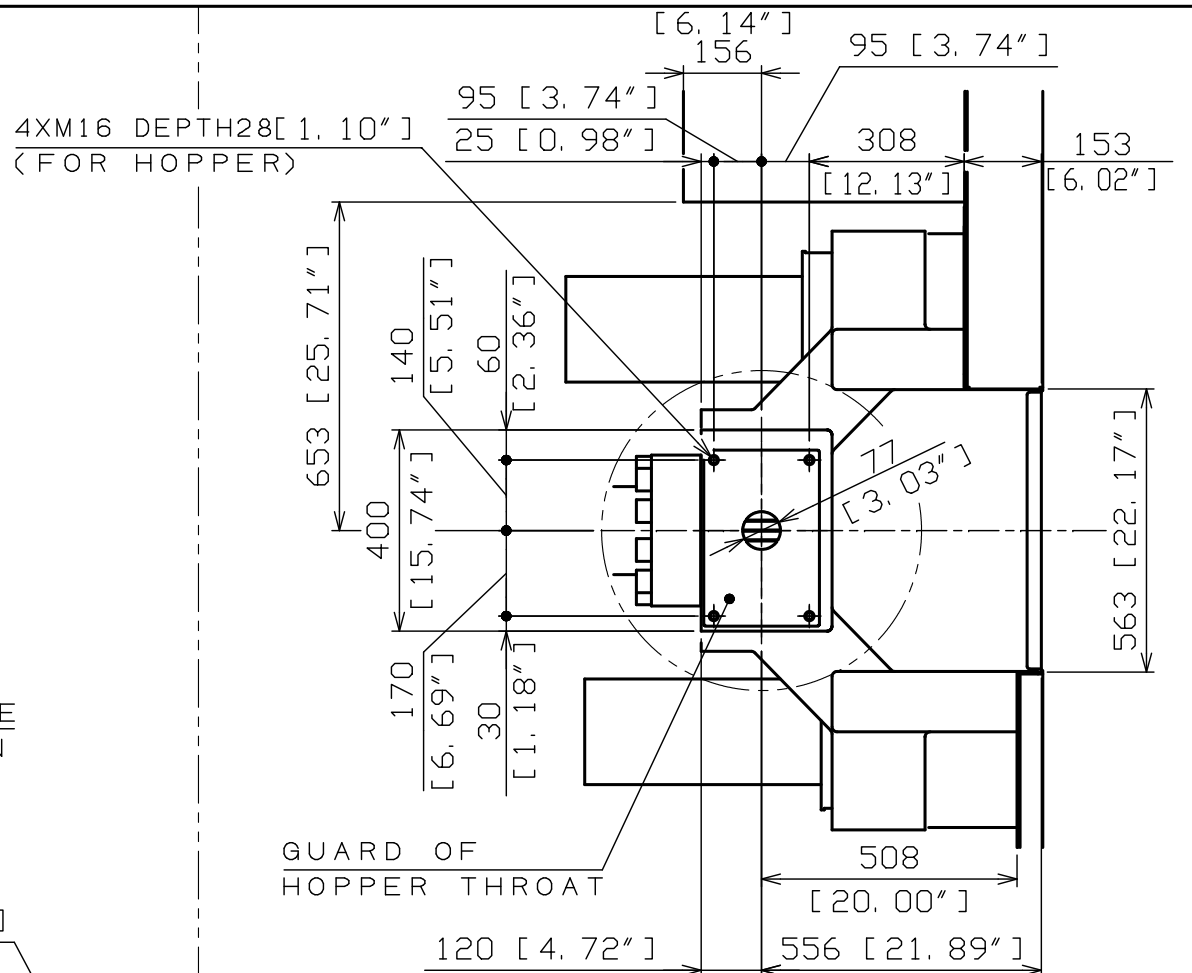
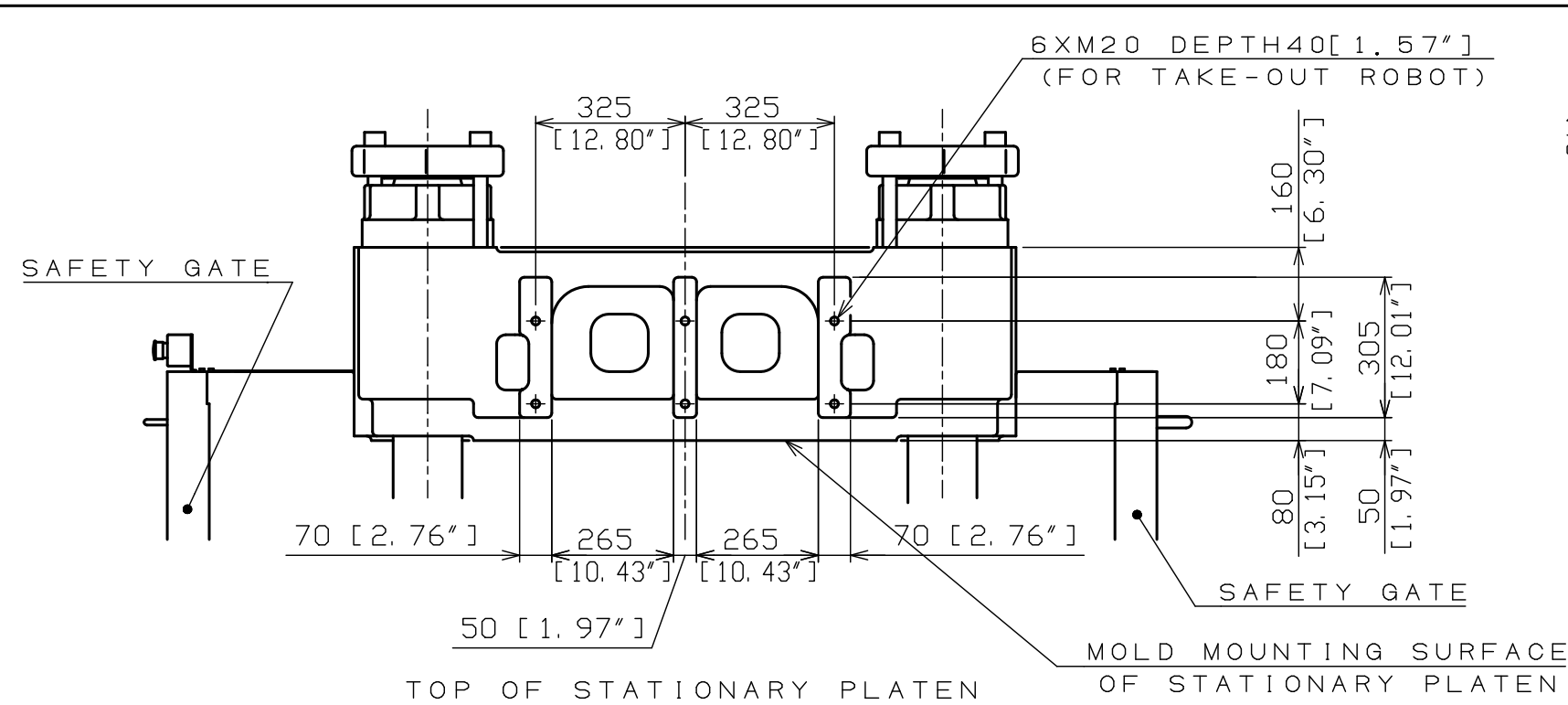
<FILE: S\_49A951.DWG> SMA-STD

## FOUNDATION

EC610SXII-126/136

SHIBAURA MACHINE CO., LTD. S-49A95

mm [inch]



1. THE POSITION OF MOLD MOUNTING SURFACE OF STATIONARY PLATEN VARY WITH THE OPTIONAL SPECIFICATION SUCH AS INSULATING PLATES, AND MAGNETIC CLAMP UNIT.
2. THIS SPECIFICATION IS THE FOUNDATION BOLT SPECIFICATION (STD).
3. DIMENSION \*MARK IS THE LEVEL PAD SPECIFICATION (OPTION).

<FILE: S\_50A012.DWG> SMA-STD

**TAKE-OUT ROBOT & HOPPER MOUNTING**

EC610SXII-136

SHIBAURA MACHINE CO., LTD. S-50A01

m m [Inch]